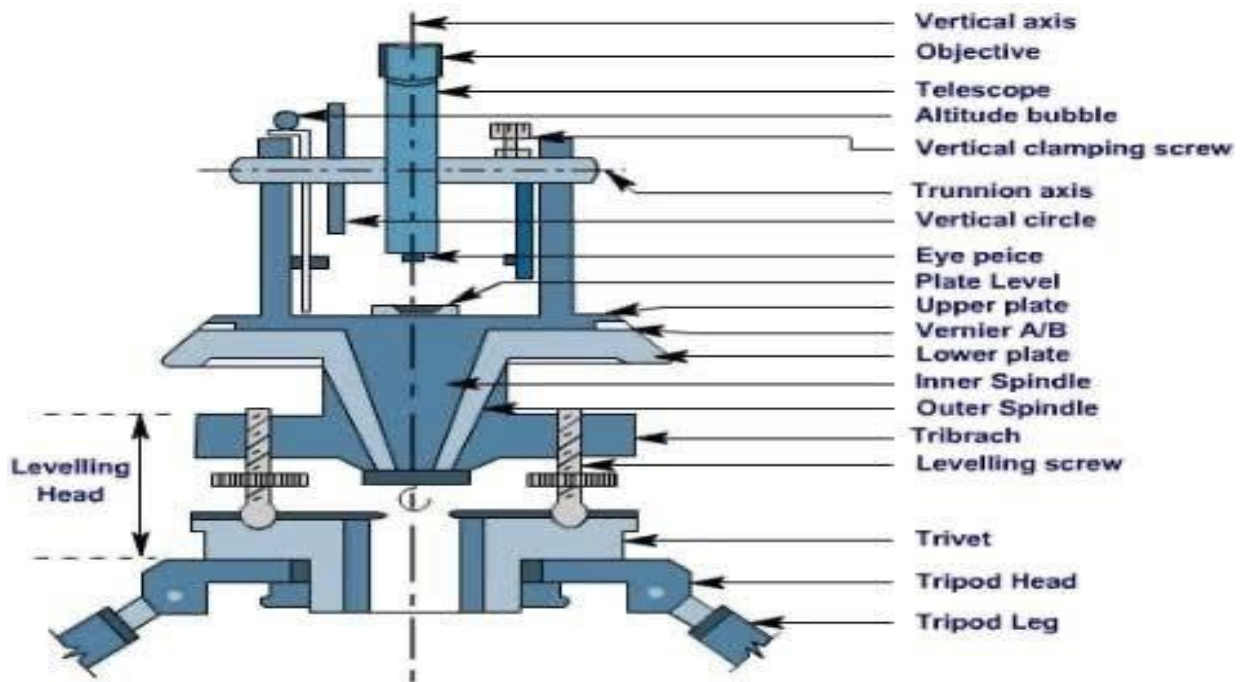


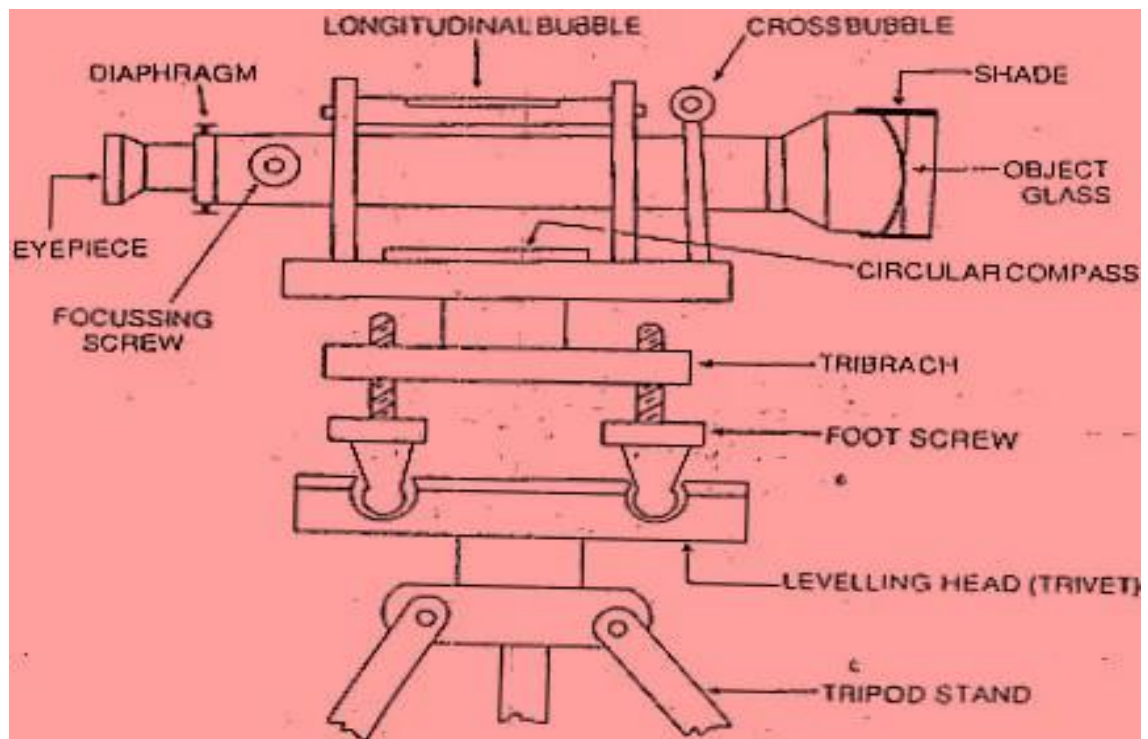
Sr.No.	Name of Equipment	Quantity
1	LYNX Cross Staff Aluminum with pole 10	08
2	LYNX Measuring chain 20 meters 150 links with Brass and 10 arrows	02
3	LYNX Measuring chain 30 meters 150 links with Brass Handles and 10 arrows	08
4	LYNX 100 mm Prismatic Compass with trip	08
5	LYNX Surveyors Compass with stand	08
6	LYNX dl-9 Dumpy Level	08
7	Aluminum Staff 4 meter	16
8	LYNX Planimeter 28 ” with Box	08
9	Placom Digital Planimeter model : kp - 90	02
10	LYNX Auto Level Model Lal- 6m With Alu. Sta.	01
11	LYNX Optical Square Brass Prism Type W	03
12	Pentax Auto Focus Total Station Model: r- 425 vn in strong carrying case.	01
13	LYNX Range Pole 2 M X 2 Sec with Target Plate Tilting type with 1 No. Prim	01
14	EXTRA MB-08 Battery for Total Station	01
15	LYNX Plane Table 22 mm thick with stand	08
16	LYNX ST- 20E standard Vernier Theodolite	08
17	LYNX Hand Level	02
18	LYNX Abney Level with case (double draw)	02
19	LYNX ‘Ghat Tracers’ Cyclone type	02
20	LYNX Box Sextant	02
21	LYNX Clinometers Compass	02

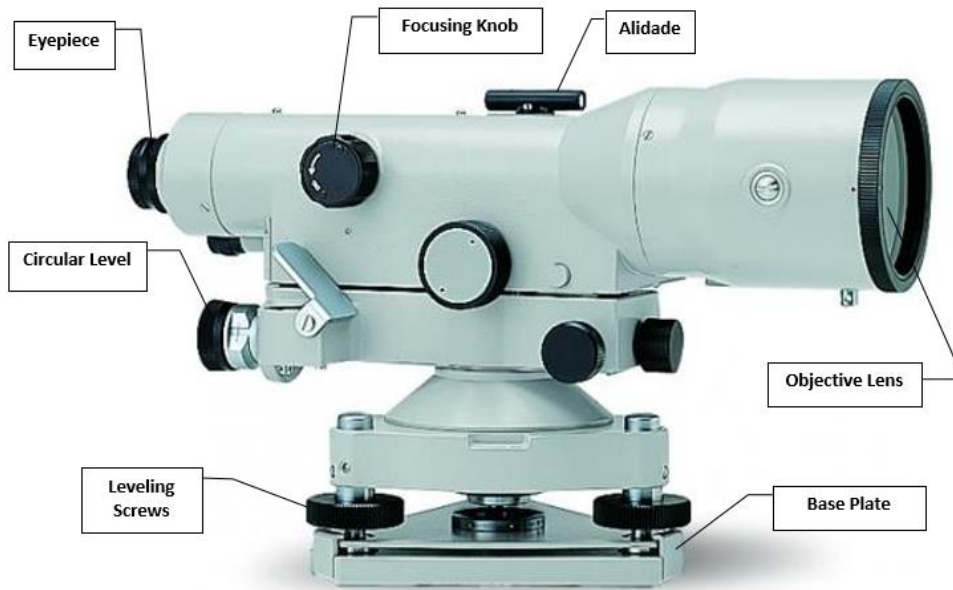
22	LYNX Telescopic Alidade	02
23	LYNX Nautical Sextant	01
24	LYNX Line Ranger	02
25	Metallic Tape 30 Meter	01
26	Steel Tape 30 Meter	01
27	Steel Tape 5 Meter	01
28	Only, Mirror Stereoscope (in case complete)	02
29	Only, Pocket Stereoscope (in case complete)	03
30	Only, Pocket Stereoscope (in case complete superior)	01
31	Only, Aerial photographs (B/W)	03
32	Only, Aerial Photographs (Color)	01
33	Only, Toposheets (Hard Copy) Region Kolhapur (Maharashtra)	01
34	Only, Toposheets (Hard Copy) Region – Sangli (Maharashtra)	01
35	*Dumpy level 9’ with Alu. Stand.	05
36	*Vernier Transit Theodolite with Alu. Tripod stand	05
37	Octagonal Cross Staff: (French cross staff) made of Non- magnetic metal having & sides complete with iron pole.	01
38	Octagonal cross staff: (French cross staff) made of brass metal with iron pole.	01
39	AK: Substance bar packing in wooden box with tripod stand size 3 meters	01
40	Garmin GPS ETREX 10	01
Total Investment		Rs. 10,20,122/-



DEPARTMENT OF CIVIL ENGINEERING
SURVEYING LABORATORY
COMPONANTS OF THEODOLITE







PRIMARY FEATURES

